

Obstruction Kit Solution

ICAO I-3

Optional



Add on solar system



Monitoring



Cable Kit



Mounting Accessories



Additional LI fixture



The Avlite ICAO I-3 Obstruction Lighting kit is a full turnkey solution for I-3 defined structures between 61 and 106 metres above ground. The kit consists of 1 x Red/White Combined Medium Intensity Obstruction Light, 3 x Low Intensity Obstruction Lights, all necessary Junction Boxes and a central Control Unit. The I-3 obstruction kit is available in universal AC or DC input power configurations.

Utilising a Control Unit with dispersed light fixtures in accordance with the specific tower configuration, the kit is designed for ease of installation and maintenance, and meets the requirements of ICAO Annex 14, Volume 1, Sixth Edition, July 2013.

The I-3 Obstruction Kit monitoring capabilities include dry contacts for interface with owner furnished monitoring equipment or GSM or SATCOM monitoring that reports to a user-accessible portal, Star2M®.

The complete system is designed to be immune to high voltage EMI (electromagnetic emissions), is waterproof rated to a minimum of IP65, and capable of continuous operation between temperatures of -40°C and +55°C.

Features

- External and remote monitoring capabilities via GSM or SATCOM
- Photocell override for testing and maintenance purposes
- Designed for optimised cabling, mounting and installation



Cost Effective

- All in one kit solution
- Single supplier product

Easy to Install

- Lightweight and convenient
- Optimised cabling for reduced installation time

Applications

- I-3 tower configurations for structures from 61-106 metres AGL

Compliance

- ICAO Annex 14, Volume 1, Sixth Edition, July 2013

Reliable

- 5 year warranty on light fixtures
- 3 year warranty on Control Unit and Junction Boxes

Optional Add Ons

- Add on standalone solar system sized to region
- Additional LI fixture
- Mounting Brackets
- Cable Kit for 106 metre structure
- Star2M remote monitoring integration via GSM or SATCOM

Technical Specifications*

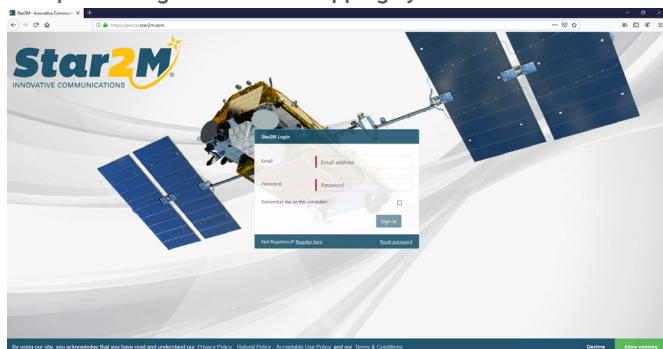
ICAO I-3 Obstruction Kit		AC	DC	
Electrical Characteristics				
Input Voltage		90-264VAC	24-48VDC	
Input Frequency		50/60 Hz	N/A	
Power Consumption				
Peak		555VA	490W	
Average*		Day: 45.5VA Night: 12.5VA	Day: 40W Night: 11W	
Physical Characteristics				
Dimensions	Height (inches/mm)	Width (inches/mm)	Length (inches/mm)	Mass (lbs./kg)
AV-OL-CMI (IMAB or IMAC)	8.25 / 209	11.75 / 296	6.75 / 171	21.5 / 9.7
LI Single Fixture	5.4 / 137	4.75 / 121	3.875 / 100	0.375 / 0.4
Control Unit	24 / 610	20.5 / 505	9.5 / 241	63 / 28.5
Top Junction Box	4.86 / 123	8.68 / 221	7.74 / 197	7.05 / 3.2
Middle Junction Box	4.78 / 121	10.32 / 262	11.77 / 299	9.92 / 4.5
Mounting				
AV-OL-CMI (IMAB or IMAC)	200mm bolt pattern			
LI Single Fixture	3/4 inch pipe thread			
Control Unit	Wall mounted (mounting accessories available)			
Top Junction Box	Mounting accessories available			
Middle Junction Box	Mounting accessories available			
Certifications and Compliance				
CE	EN61000-6-3:2007, EN61000-6-1:2007			
Quality Assurance	ISO9001:2015			
Protection Rating	Junction and Control Box: IP65/NEMA4X Lights: IP67			
ICAO	Medium Intensity Type A, Type B and Type C Obstruction Light, ICAO Annex 14, Volume 1, Sixth Edition, July 2013, 'Aerodrome Design and Operations'			
Intellectual Property				
Trademarks	AVLITE® is a registered trademark of Avlite Systems			
Warranty*	5 year warranty on light fixtures 3 year warranty on Control Unit and Junction Boxes			
Options Available	<ul style="list-style-type: none"> • Cable Kit suitable for 106 metre structures • Mounting Brackets for CMI and LI fixtures 			

* Calculated using Combined Medium Intensity IMAB and LI Type B lights.

+ Please refer to the individual light installation manuals for further specifications

Star2M - Monitoring option available

GPS positioning via internet mapping system



How to Order ICAO I-3 Kit Obstruction Solution

AV-OL-KT-I3 - [?] - [?]

Product No.: _____

Input: _____

DC = VDC
UM = VAC

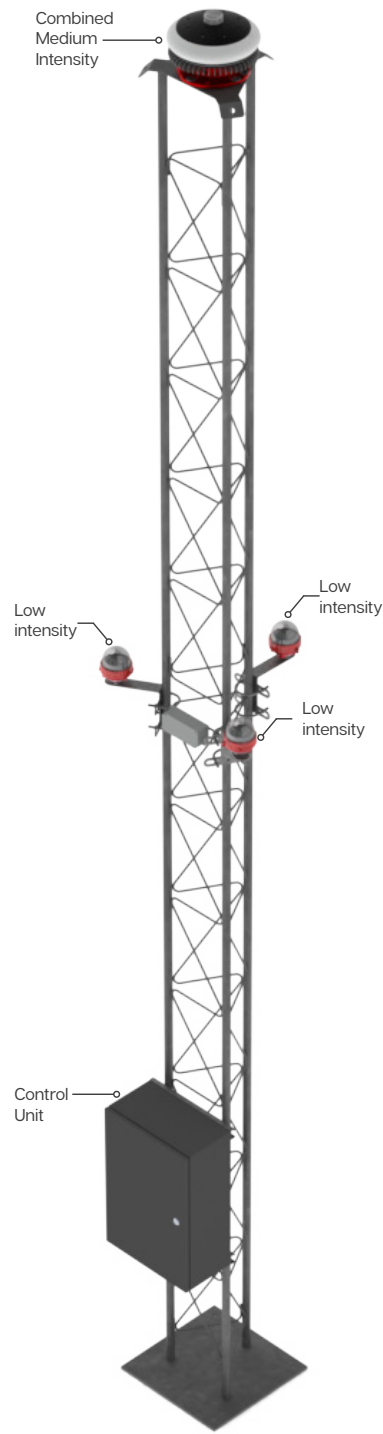
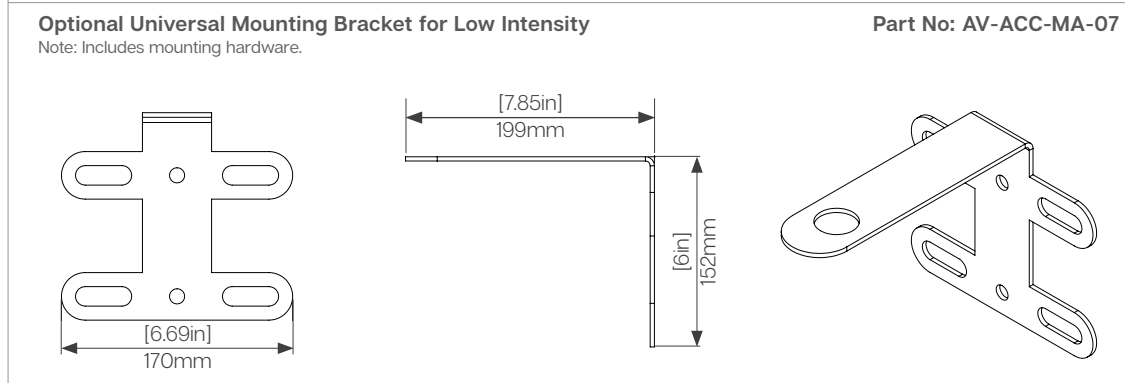
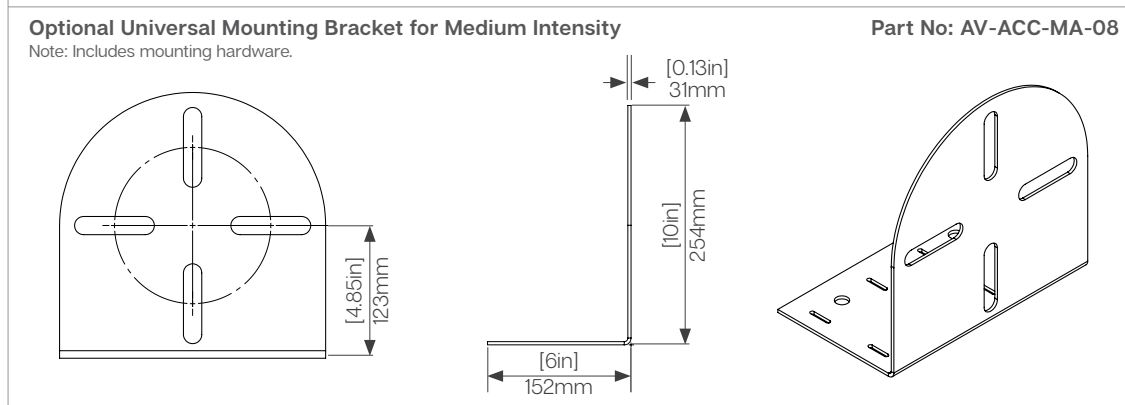
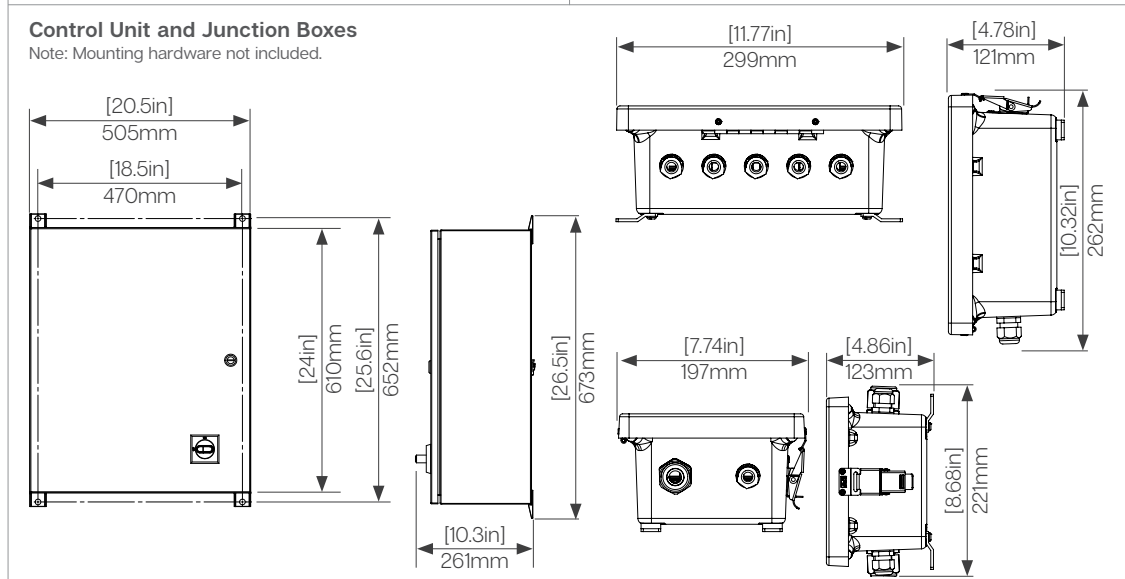
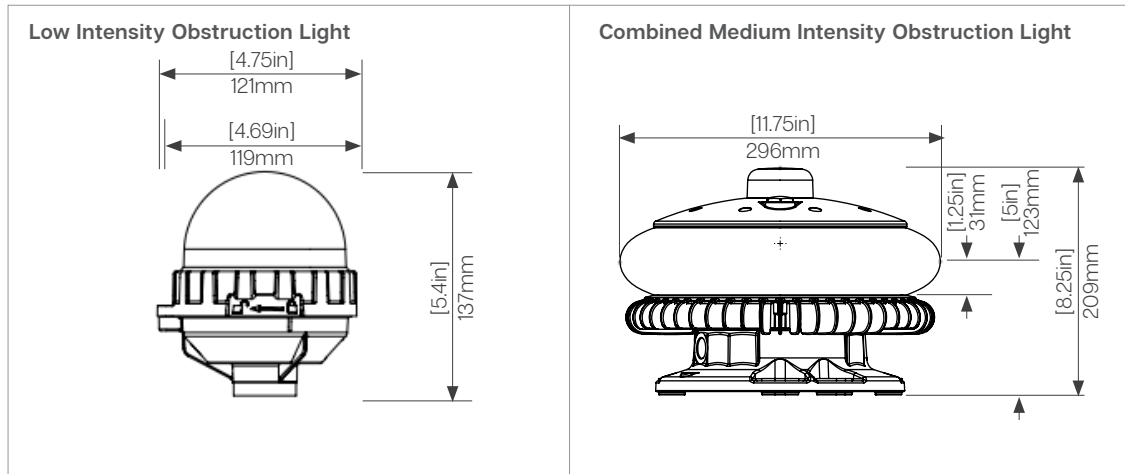
Monitoring: _____

00 = No Options
01 = Satellite Monitoring
02 = GSM Monitoring



• Specifications subject to change or variation without notice
* Subject to standard terms and conditions

Technical Illustrations



Note:

- Optional Cable Kit available for 106 metre structure. Cable sold separately.