

# Obstruction Kit Solution

FAA E-1

Optional



Add on solar system



Monitoring



Cable Kit



Mounting Accessories



Additional L-810(F) fixture



The Avlite FAA E-1 Obstruction Lighting kit is a full turnkey solution for E-1 defined structures between 201 and 350 feet. Consisting of 1 x L-864/865 Red/White Medium Intensity Flashing Beacon, 3 x L-810(F) Obstruction Lights, all necessary Junction Boxes and a central Control Unit. The E1 obstruction kit is available in universal AC and DC input power configurations.

Utilising a Control Unit with dispersed light fixtures in accordance with the specific tower configuration, the kit is designed for ease of installation and maintenance, and meets the requirements of FAA AC 150/5345-43.

The E-1 Obstruction Kit monitoring capabilities include dry contacts for interface with owner furnished monitoring equipment or GSM or SATCOM monitoring that reports to a user-accessible portal, Star2M®.

The complete system is designed to be immune to high voltage EMI (electromagnetic emissions), is waterproof rated to a minimum of IP65, and capable of continuous operation between temps of -40°F and 131°F (-40°C and +55°C).

## Features

- External and remote monitoring capabilities via GSM or SATCOM
- Photocell override for testing and maintenance purposes
- Designed for optimized cabling, mounting and installation



### Cost Effective

- All in one kit solution
- Single supplier product

### Easy to Install

- Lightweight and convenient
- Optimised cabling for reduced installation time

### Applications

- E1 tower configurations for structures from 201-350 feet AGL

### Certifications

- FAA L-864 and L-865 Medium Intensity Obstruction Light – FAA AC150/5345-43H
- FAA L-810(F) Flashing Red Obstruction Light - FAA AC150/5345-43H

### Compliance

- FAA Engineering Brief No. 67D
- Transport Canada, CAR 2015-2, Standard 621

### Reliable

- 5 year warranty on light fixtures
- 3 year warranty on Control Unit and Junction Boxes

### Optional Add Ons

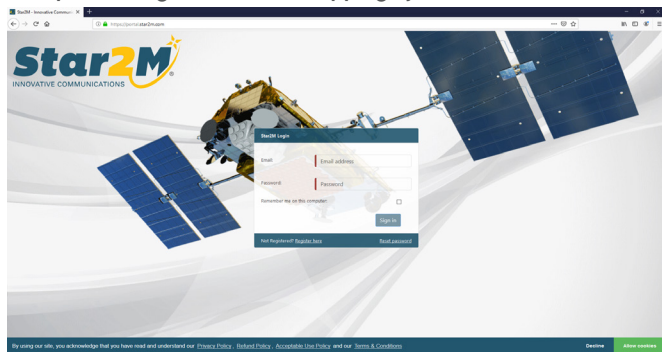
- Add on standalone solar system sized to region
- Additional L-810(F) fixture
- Mounting Brackets
- Cable Kit for 350' structure
- Star2M remote monitoring integration via GSM or SATCOM

## Technical Specifications\*

FAA E-1 Obstruction Kit	AC	DC		
<b>Electrical Characteristics</b>				
Input Voltage	90-264VAC	24-48VDC		
Input Frequency	50/60 Hz	N/A		
<b>Power Consumption</b>				
Peak	555VA	490W		
Average	Day: 34VA Night: 5.1VA	Day: 30W Night: 4.5W		
<b>Physical Characteristics</b>				
Dimensions	Height (inches/mm)	Width (inches/mm)	Length (inches/mm)	Mass (lbs./kg)
AV-OL-CMI (L-864/ L-865)	8.25 / 209	11.75 / 296	6.75 / 171	21.5 / 9.7
L-810(F)	5.4 / 137	4.75 / 121	3.875 / 100	0.375 / 0.4
Control Unit	24 / 610	20.5 / 505	9.5 / 241	63 / 28.5
Top Junction Box	4.86 / 123	8.68 / 221	7.74 / 197	7.05 / 3.2
Middle Junction Box	4.78 / 121	10.32 / 262	11.77 / 299	9.92 / 4.5
<b>Mounting</b>				
AV-OL-CMI (L-864, L-865)	200mm bolt pattern			
AV-OL-L-810(F)	¾ inch pipe thread			
Control Unit	Wall mounted (mounting accessories available)			
Top Junction Box	Mounting accessories available			
Middle Junction Box	Mounting accessories available			
<b>Certifications and Compliance</b>				
CE	EN61000-6-3:2007, EN61000-6-1:2007			
Quality Assurance	ISO9001:2015			
Protection Rating	Junction and Control Box: IP65/NEMA4X    Lights: IP67			
FAA	L-810(F), L-864, L-865, FAA AC 150/5345-43H			
Transport Canada	CL-864, CL-865 Canadian Aviation Regulations 2015-2, Standard 621 - Obstruction Marking and Lighting, March 2016 Appendix B			
DGAC	L-810(F) Low Intensity Obstruction Light (Qualified by Intertek)			
<b>Intellectual Property</b>				
Trademarks	AVLITE® is a registered trademark of Avlite Systems			
Warranty *	5 year warranty on light fixtures 3 year warranty on Control Unit and Junction Boxes			
Options Available	<ul style="list-style-type: none"> <li>· Cable Kit suitable for 350' structures</li> <li>· Mounting Brackets for L-864/865 and L-810(F)</li> </ul>			

## Star2M - Monitoring option available

GPS positioning via internet mapping system



## How to Order FAA E1 Kit Obstruction Solution

AV-OL-KT-E1 - [?] - [?]

Product No.: \_\_\_\_\_

Input: \_\_\_\_\_

DC = VDC

UM = VAC

Monitoring: \_\_\_\_\_

00 = No Options

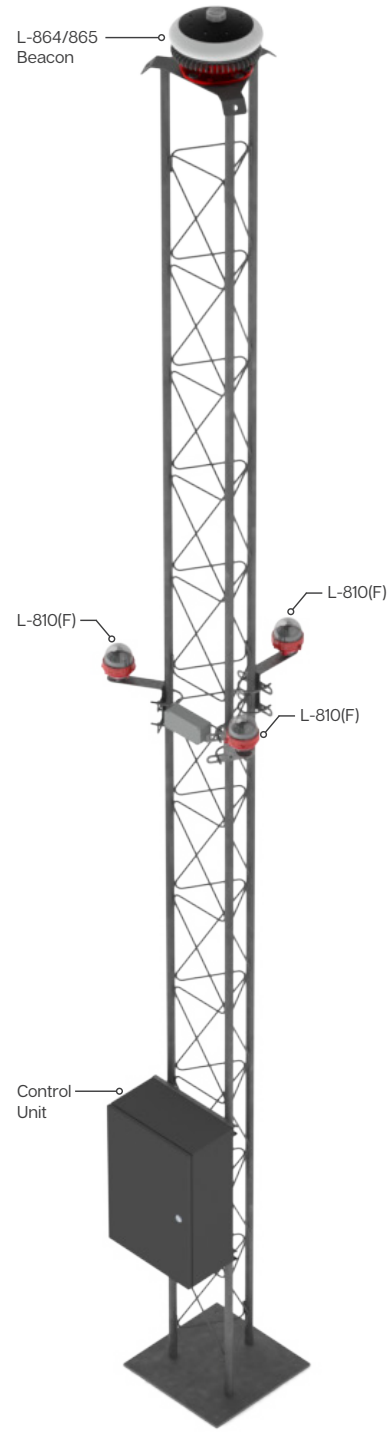
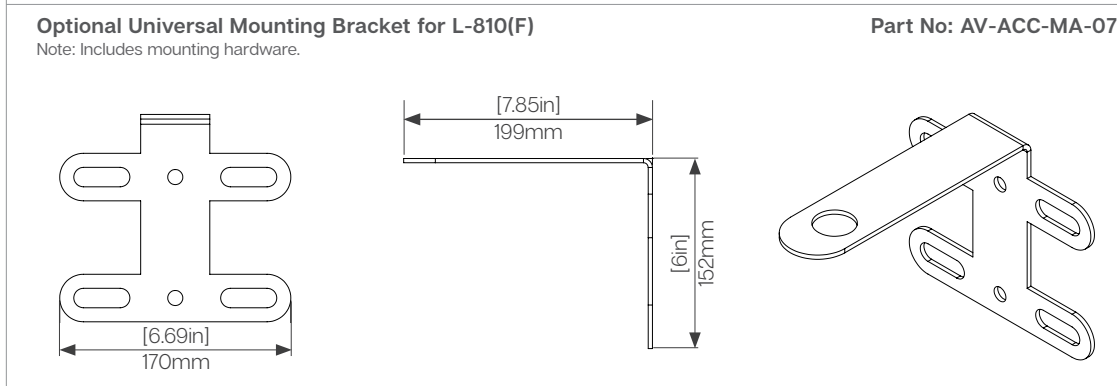
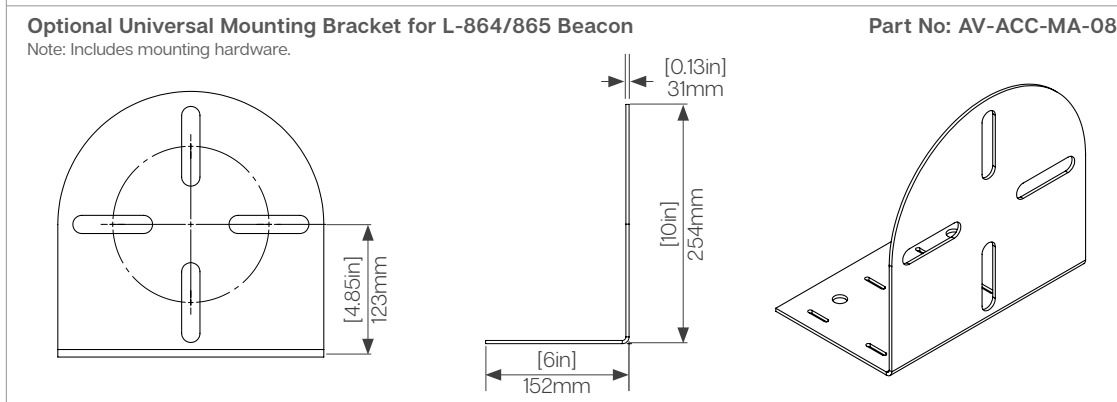
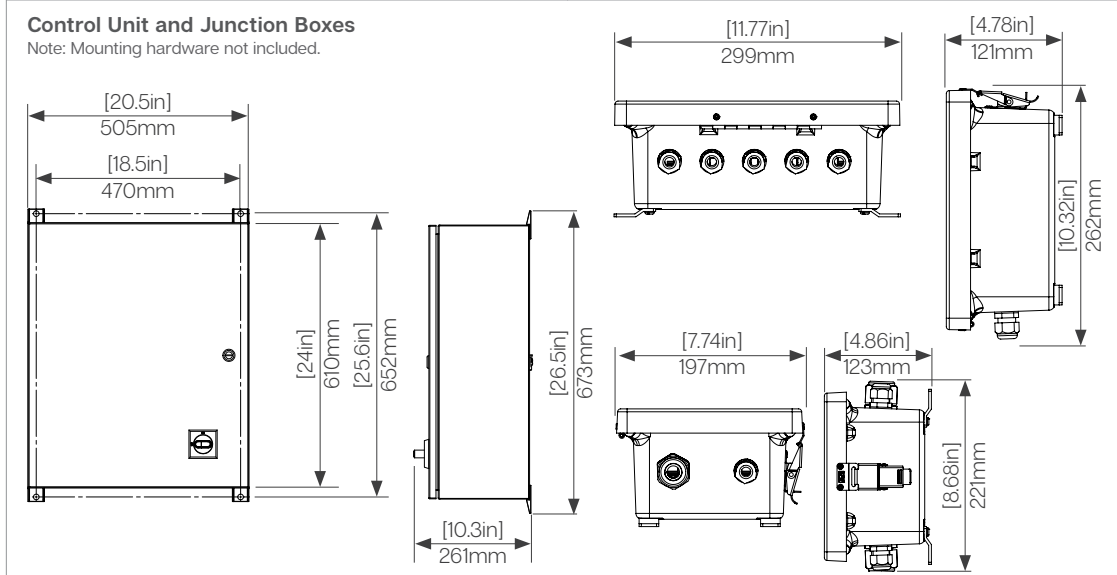
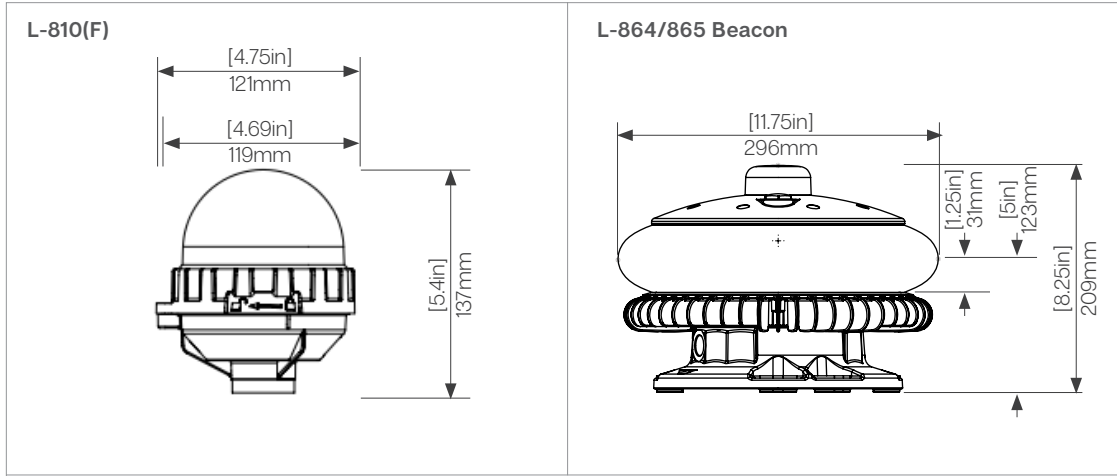
01 = Satellite Monitoring

02 = GSM Monitoring



• Specifications subject to change or variation without notice  
\* Subject to standard terms and conditions

# Technical Illustrations



Note:  
1. Optional Cable Kit available for 350' structure. Cable sold separately.