

Obstruction Kit Solution

FAA A-0

Optional



Add on solar system



Monitoring



Cable Kit



Mounting Accessories



The Avlite FAA A-0 Obstruction Lighting Kit is a full turnkey solution for A-0 defined structures up to 150 feet. Consisting of a L-810 Dual Obstruction Light and a central control. The A-0 Obstruction Kit is available in universal AC and DC input power configurations.

Utilising a dual L-810 light assembly and central Control Unit, the kit is designed for ease of installation and maintenance, and meets the requirements of FAA AC 150/5345-43.

The A-0 Obstruction Kit monitoring capabilities include dry contacts for interface with owner furnished monitoring equipment or GSM or SATCOM monitoring that reports to a user-accessible portal, Star2M®.

The complete system is designed to be immune to high voltage EMI (electromagnetic emissions), is waterproof rated to a minimum of IP65, and capable of continuous operation between temps of -40°F and 131°F (-40°C and +55°C).

Features

- External and remote monitoring capabilities via GSM or SATCOM
- Photocell override for testing and maintenance purposes
- Designed for optimized cabling, mounting and installation



Cost Effective

- All in one kit solution
- Single supplier product

Easy to Install

- Lightweight and convenient
- Optimised cabling for reduced installation time

Applications

- A-0 tower configurations for structures up to 150 feet AGL

Certifications

- FAA L-810 Low Intensity Obstruction Light, FAA AC NO: 150/5345-43H
- DGAC L-810, Low Intensity Obstruction Light

Compliance

- FAA Engineering Brief No. 67D

Reliable

- 5 year warranty on light fixtures
- 3 year warranty on Control unit

Optional Add Ons

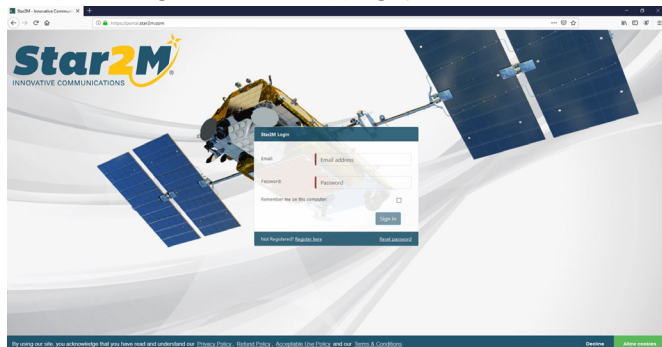
- Add on standalone solar system sized to region
- Mounting Brackets
- Cable Kit for 150' structure
- Star2M remote monitoring integration via GSM or SATCOM

Technical Specifications*

FAA A-0 Obstruction Kit	AC	DC		
Electrical Characteristics				
Input Voltage	90-264VAC	12-48VDC		
Input Frequency	50/60 Hz	N/A		
Power Consumption				
Peak	20VA	6W		
Average	Night: 8.7VA	Night: 2.6W		
Physical Characteristics				
Dimensions	Height (inches/mm)	Width (inches/mm)	Length (inches/mm)	Mass (lbs./kg)
L-810 Dual (Americas)	10.75 / 272	19 / 481	4.75 / 121	5 / 2.3
L-810 Dual (Global)	8.5 / 216	10.3 / 259.2	5.3 / 133	2.53/ 1.15
Control Unit	12 / 305	12 / 305	6 / 152	16 / 7.3
Mounting				
L-810 Dual	½ inch pipe thread			
Control Unit	Wall mounted (mounting accessories available)			
Certifications and Compliance				
CE	EN61000-6-3:2007, EN61000-6-1:2007			
Quality Assurance	ISO9001:2015			
Protection Rating	Junction and Control Box: IP65/NEMA4X		Lights: IP67	
FAA	L-810(F) FAA AC 150/5345-43H			
DGAC	L-810(F) Low Intensity Obstruction Light (Qualified by Intertek)			
FAA, DGAC	AC 150/5345-43H, AC 70/7460-1L			
Intellectual Property				
Trademarks	AVLITE® is a registered trademark of Avlite Systems			
Warranty *	5 year warranty on light fixtures 3 year warranty on Control Unit			
Options Available	• Mounting Brackets L-810			

Star2M - Monitoring option available

GPS positioning via internet mapping system



How to Order FAA A-0 Kit Obstruction Solution

AV-OL-KT-A0 - [?] - [?]

Product No.: _____

Input: _____

DC = VDC
UM = VAC

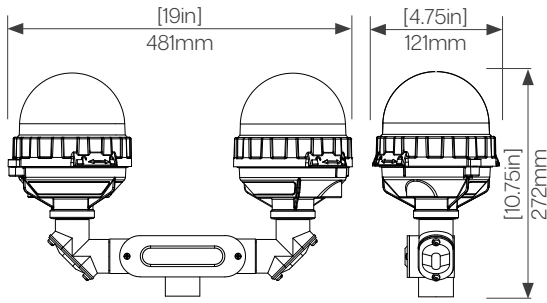
Monitoring: _____

00 = No Options
01 = Satellite Monitoring
02 = GSM Monitoring

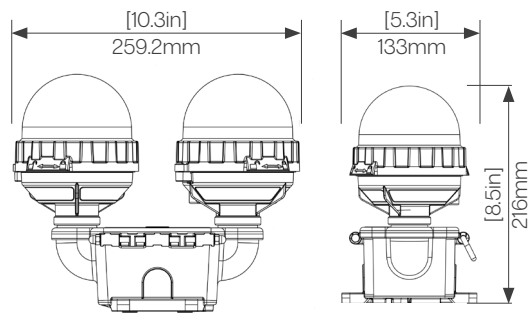
CE • Specifications subject to change or variation without notice
* Subject to standard terms and conditions

Technical Illustrations

L-810 Dual - Americas

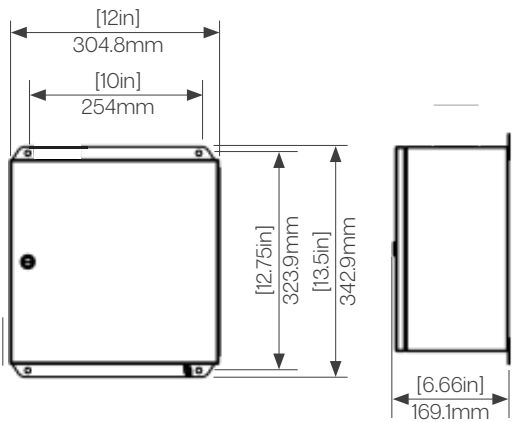


L-810 Dual - Global



Control Unit

Note: Mounting hardware not included.



L-810 Dual
Low Intensity
Obstruction Light



Control
Unit

Note:

1. Optional Cable Kit available for 150' structure. Cable sold separately.

Optional Universal Mounting Bracket for L-810 Dual

Note: Includes mounting hardware.

Part No: AV-ACC-MA-07

