

# LED APAPI

## LED Abbreviated Precision Approach Path Indicator

The Avlite LED APAPI is a highly efficient Precision Approach Path Indicator that uses LEDs as a light-source to provide low maintenance, low power consumption and high levels of reliability in an extremely compact form factor. The unit operates from 24VDC for energy efficiency and increased safety, and can be supplied with optional solar power supplies, AC input or traditional CCR.

### Patented LED Optics

Innovative optics achieve the industry's lowest power consumption, uniform intensity, and sharpest red/white transition for critically accurate approach slope information to the pilot.

### Field Proven Design

The Avlite LED APAPI was developed by Laser Guidance Inc, a United States designer and manufacturer of high precision aviation lighting products. Now in its 3rd generation, over 100 systems have been deployed globally in regions including the Americas, Europe, Middle East, Asia and Africa.

### Permanent or Portable Operations

Available with permanent frangible or temporary mounting legs, the APAPI is designed to support various usage conditions.

### Designed for Commercial or Military Applications

The Avlite LED APAPI is one of the only APAPIs on the market capable of supporting visual and infrared operational states within the same optic. Switchable by ground operators, the visual PAPI allows pilots to identify approach slope information using traditional means of WHITE/RED light combinations. Infrared mode allows pilots using night vision equipment to approach on the same reference points using a combination of steady (representing white) and flashing (representing red) signals.



### 💰 Cost Effective

- Low power consumption
- Low ongoing maintenance costs

### 📦 Optional Add Ons

- Solar power supplies
- Fixed or portable

### ✈️ Applications

- Airfield Lighting
- Precision Approach Path Guidance

### 📈 High Performance

- Fully integratable into an Avlite runway system
- On demand operation

### ✅ Reliable

- No bulbs blown – ever
- Latest LED technology
- No moving parts

### 📄 Compliance

- Photometrically compliant to ICAO, STANAG and UFC standards

## Technical Specifications \*\*

### LED APAPI - LED Abbreviated Precision Approach Path Indicator

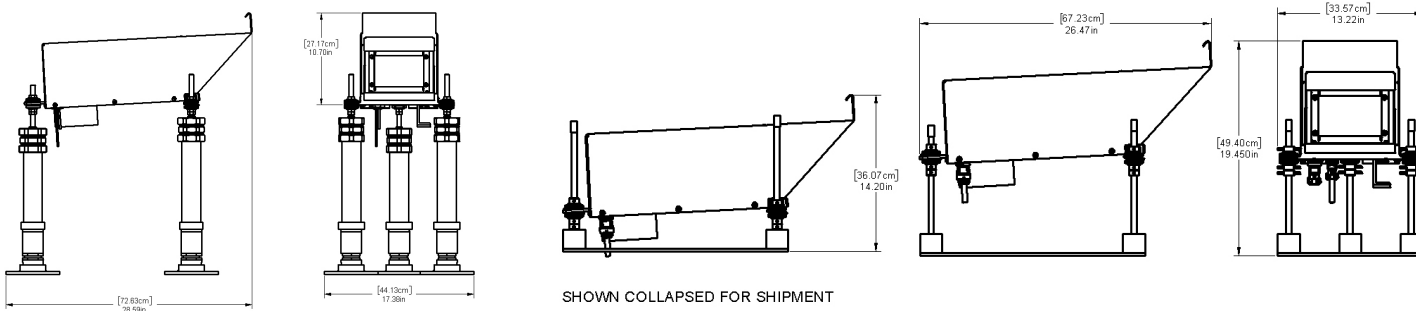
Optics	
High power LEDs with proper heat management ensures stable photometrics for life of product	
ICAO Annex APAPI & APAPI (2 LHA) compliant STANAG 3316 & APAPI (2 LHA) compliant UFC 3-535-01 (4 LHA) compliant	
Optical glass lens with MIL-SPEC scratch resistant coating	
Physical Characteristics	
Height(mm/inches)	30.42" [773 mm]
Width(mm/inches)	17.38" [441 mm]
Weight(lbs)	17.5 lbs [7.9 kg]
Electrical Characteristics	
Current Draw	0.9 amps @ 24VDC per LHA
Power Options	
Solar Station	Solar panels, mounting hardware, batteries, enclosures, air transportable container, AC input for backup
Generator Kit	Standard Gas or Diesel available. Optional Flex Fuel Generator runs with JP-8/F-24, F-34 NATO, gasoline, propane, methanol, isopropanol
Battery Kit	Batteries & enclosures, AC input for charging and back up power
AC	100 - 240 VAC 50/60 Hz
CCR	3 & 5 step current input (65w transformer per LHA)
Control Options	
Wired	Wired relay control powerline control
Wireless	2.4GHZ Mesh Network
Photocell	Automatic intensity control day & night
Construction	
Painted aluminum chassis, aviation orange standard, yellow and other colours available, handles on portable version	
Stainless steel & painted aluminum hardware	
Digital level provided	
Temperature	
-67 to 131 °F (-55 to +55 °C) - Ambient	
-67 to 176 °F (-55 to +80 °C) - Storage	
Wind Loading	
100 mph (45 m/s)	
Ingress	
NEMA 4 & EN 60529 IP 66	
Intellectual Property	
Patents	U.S. Patent No. US 9,863,601 B2
Trademarks	AVLITE® is a registered trademark of Sealite Pty Ltd

CE • Specifications subject to change or variation without notice  
\* Subject to standard terms and conditions

### **i** Notes

- Tilt switch and heated lens available upon request
- Heated lens with CCR option requires 100W transformer

## Technical Illustrations



Permanent Mount

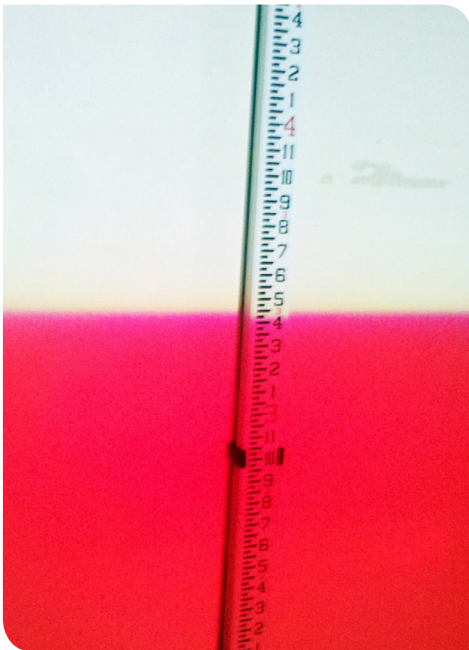
Portable Mount

## Photometric Output

Sample	CRT1805071005-001	Powered by	DC	Secondary Voltage	24.0	Vdc											
Test	PWM (0.35,0.36)	Transformer Make	NA	Secondary Current	0.843	A											
Lamp	LED	Transformer Size	NA														
Figure A2-23 Light Intensity Distribution (cd) of PAPI and APAPI																	
Vertical Degrees	Horizontal (degrees)																
	-8.0	-7.0	-6.0	-5.0	-4.0	-3.0	-2.0	-1.0	0.0	1.0	2.0	3.0	4.0	5.0	6.0	7.0	8.0
3.5	5323	6232	7006	7637	8198	8567	8887	9033	8946	8466	7845	7466	7074	6502	5861	5285	4643
3.0	5810	6642	7366	8007	8611	9059	9478	9734	9638	9165	8457	8044	7595	7014	6354	5732	4948
2.5	6378	7204	7895	8492	9068	9548	10008	10286	10280	9741	8999	8517	8016	7423	6762	6116	5366
2.0	6674	7555	8272	8880	9435	10021	10429	10824	10842	10224	9490	8941	8333	7780	7117	6517	5747
1.5	6941	7890	8533	9157	9744	10467	10945	11452	11430	10802	10115	9506	8860	8300	7560	6941	6179
1.0	7056	8114	8921	9488	10059	10850	11302	11765	11777	11378	10797	10238	9447	8883	8147	7411	6489
0.5	7060	8095	8904	9544	10166	10886	11284	11701	11784	11643	11251	10751	9943	9411	8608	7646	6577
	5504	6392	7330	8231	9009	9559	9708	9910	9660	9499	9432	9180	8488	7981	7240	6387	5365
-0.5	4332	4986	5639	6276	7106	7941	8603	9355	9611	9264	8638	8186	7453	6848	6150	5370	4485
-1.0	3904	4550	5136	5680	6391	7149	7791	8565	8916	8621	8039	7618	6952	6403	5832	5154	4352
-1.5	3401	3993	4520	5061	5602	6210	6768	7458	7737	7443	6984	6534	6036	5642	5168	4549	3826
-2.0	3106	3684	4144	4543	5025	5448	5854	6414	6692	6531	6154	5645	5255	4876	4497	3940	3295
-2.5	2966	3471	3908	4293	4654	4884	5191	5653	5961	5873	5495	5023	4717	4384	3895	3386	2819
-3.0	2895	3393	3790	4102	4399	4621	4919	5297	5554	5498	5092	4584	4345	4027	3510	3047	2522
-3.5	2807	3325	3770	4112	4403	4656	5007	5388	5552	5442	4893	4302	4003	3688	3192	2760	2335

Verified by Intertek Report # 103422443CRT-001

## Transition Line



Avlite's APAPI has the sharpest red/white transition line for critically accurate approach slope information to pilots.

### How to Order

AV-APAPI Abbreviated Precision Approach Path Indicator

AV-APAPI [?] [??] [??] [??]\*

**Product No.:** \_\_\_\_\_

**Standard/Size:** \_\_\_\_\_  
 A = ICAO Abbreviated-PAPI 2-LHA  
 2 = FAA 2-LHA  
 4 = FAA/ICAO 4-LHA

**Mounting:** \_\_\_\_\_  
 PO = Permanent  
 PI = Portable

**Input Voltage:** \_\_\_\_\_  
 UM = 120-24-VAC  
 24 = 24VDC  
 66 = 6.6A Constant Current

**Options:** \_\_\_\_\_  
 IR = Infrared  
 RF = Radiofrequency Control  
 HL = Heated Lens  
 TS = Tilt Switch  
 PC = Photocell Control

\*Note: Provide required options and exact part number will be provided at time of quote.