

AVIATION LIGHTING

Complete Solar Airfield Lighting Solutions



Avlite[®]
www.avlite.com



Avlite Systems is an international designer
& manufacturer of complete aviation
lighting systems; airfield, heli & obstruction.

We believe technology improves navigation™

AVIATION LIGHTING

Complete Solar Airfield Lighting Solutions

Avlite Systems is a world-class aviation lighting systems manufacturer with a proven reputation for rapid, innovative, and agile technology solutions designed specifically for defence, government, civil and humanitarian aid operations in the most remote, toughest environments.

Trusted Solar Airfield Lighting

Avlite can provide complete solar airfield lighting solutions that enhance aviation safety worldwide. We offer a comprehensive range of airfield lighting products and accessories to assist pilots with visual guidance and safe navigation. Avlite's airfield lights use the latest high intensity LED technology and offer superior optical performance, low power consumption, cost efficiency and reliability.

- Integrated solar/battery system means the lights can be used in areas where the hard-wired infrastructure of a conventional airfield is not available
- High intensity LEDs
- Fast and easy to deploy
- User-replaceable battery on self contained lights
- Affordable, low maintenance solution
- Eco-friendly

Our expert team will assist in designing your airfield lighting layout

Contact us for more information on how we can help with your airfield lighting solution. Email: info@avlite.com









RUNWAY

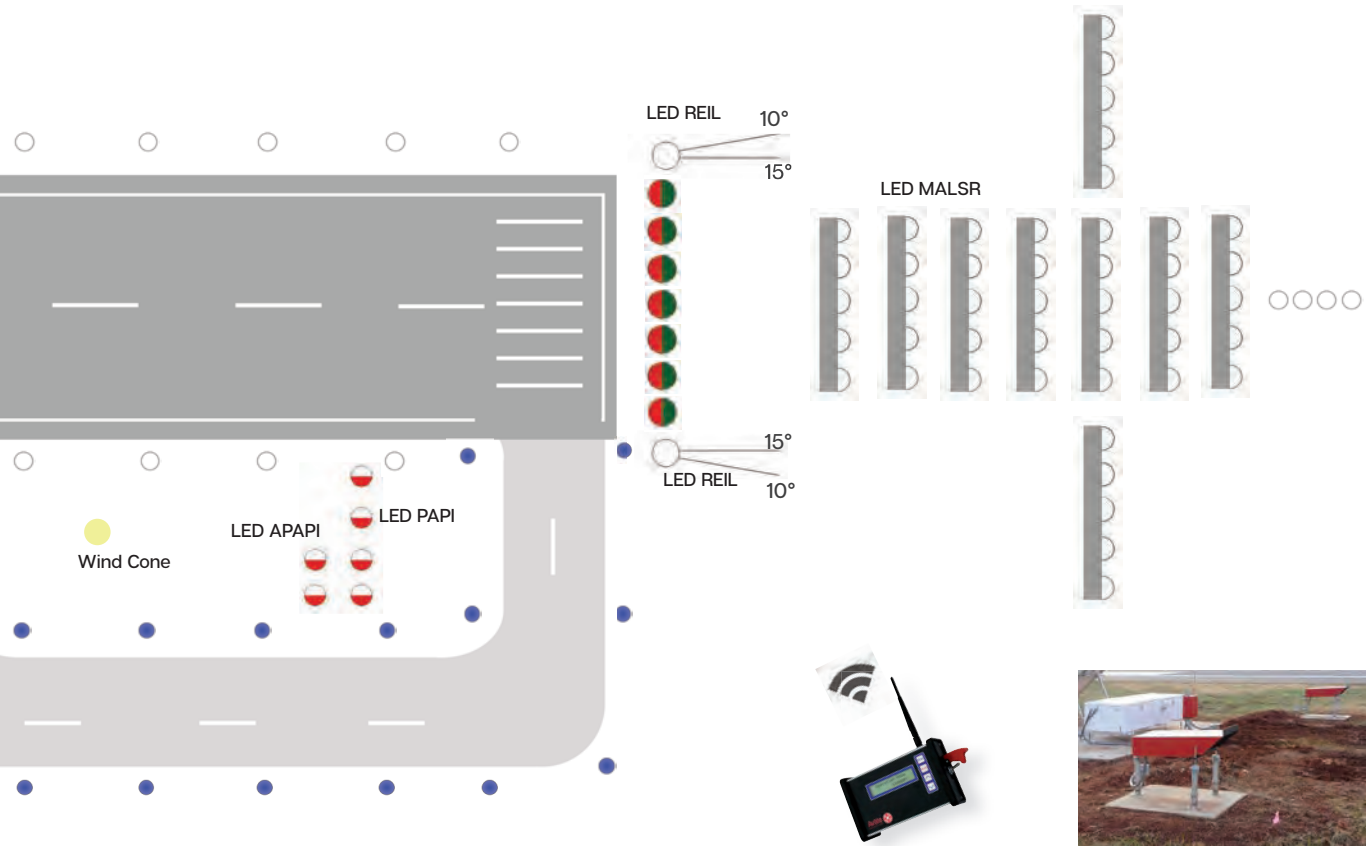


TAXIWAY

Illustrations are for illustration purposes only and are not to scale. Please contact your local authority for rules and regulations particular to your region.

 <p>LED PAPI Precision Approach Path Indicator</p>	
 <p>LED APAPI Precision Approach Path Indicator</p>	
 <p>AV-426 RF Controlled Solar Runway Edge</p>	
 <p>AV-70 Solar Taxiway Light</p>	
 <p>Markers</p>	 <p>Wind Direction Indicator</p>

 <p>LED REIL Runway End Identifier Light</p>	
 <p>LED RTIL Runway Threshold Indicator Light</p>	
 <p>ERGL Elevated Runway Guard Light</p>	 <p>LED SSALSR Simplified Short Approach Lighting System</p> <p>LED MALSR Medium Intensity Approach Lighting Systems</p>





The Avlite Advantage

- Cost effective, energy efficient airfield lighting solutions
- Self-contained solar powered units for ease of installation
- Solar powered options incur no additional electrical costs



Standards & Regulations

Avlite offers a range of airfield lighting solutions that comply with a range of standards and regulations including:

- **ICAO** (International Civil Aviation Authority) is a specialized agency of the United Nations.
- **FAA** (Federal Aviation Administration) is the national aviation authority of the United States.
- **Transport Canada** is Canada's civil aviation authority.
- **CASA** (Civil Aviation Safety Authority) is responsible for the safety of civil aviation in Australia.

TAXI & BARRICADE



SOLAR TAXIWAY LIGHT

AV-70

Self-contained, easily deployable solar taxiway lights with optional radio control and IR.

Typical applications include; taxiway lighting, emergency airstrip and caution lighting.



LED ELEVATED RUNWAY GUARD LIGHT

ERGL

The elevated LED Runway Guard Light is a unidirectional, yellow, alternately flashing fixture that provides a warning to pilots and vehicles that they are approaching an active runway.

TAXIWAY EDGE LIGHTING



Taxiway Lights



RF CONTROLLED RUNWAY EDGE

AV-426-RF

Easily deployable solar runway lights for VFR and non-precision IFR lighting with optional IR.

Typical applications include; approach/REIL (strobe and fixed), solar runway lighting and solar threshold lighting.



LED RUNWAY END IDENTIFIER LIGHT / THRESHOLD LIGHT

AV-REIL / RTIL

The REIL system is used to identify the threshold (approach end) of a visual or instrument non-precision runway and provides guidance to pilots during approach for landing.



LED PRECISION APPROACH PATH INDICATOR

LED PAPI / APAPI

Highly Efficient Precision Approach Path Indicator that uses LEDs as a light-source to provide low maintenance, low power consumption and high levels of reliability.

- Patented LED optics
- Field proven design
- Permanent or portable operations
- Designed for commercial or military applications



MEDIUM INTENSITY APPROACH LIGHTING SYSTEMS

AV-MALS / MALS / SALS / SSALS / SSALS / SSALS

Medium Intensity Approach Lighting System is a lightweight runway alignment system with sequenced flashers and comes available in a folding portable or permanent frangible versions.

- High Intensity
- Low power consumption LED optics
- Permanent or portable operations
- Convenient transport

LIGHTING CONTROL



PILOT ACTIVATED LIGHTING CONTROL

The Pilot Activated Lighting Control (PALC) has been integrated with the Avlite 2.4GHz RF wireless network to allow approaching aircraft to activate Avlite's wirelessly enabled solar lights on the airfield.

- FAA compliant
- 3 step intensity lighting activation via a series of 3, 5 or 7 microphone clicks
- Low standby currents – ideal for solar applications



RADIO CONTROL & MONITORING

The handheld controller allows lights to be controlled remotely to easily change characteristics.

- Shut down or turn all lights ON remotely within seconds
- 3-step intensity adjustment
- Switch from visual to IR for tactical operations
- 2.4GHz worldwide accepted frequency



OPTIONAL TABLET CONTROL

The AvMesh® USB device provides wireless control of airfield lights using a Tablet PC.

- Intuitive and easy to use platform
- Quickly set advanced features from a single screen
- Access advanced command pages & diagnostics
- Supports multiple languages

LOW INTENSITY AVIATION LIGHTS

Ideal for remote community airfields and other applications



Omni-directional Runway Edge
Steady-on white



Bi-directional Threshold
Steady-on red/green



Runway End Identifier (REILs)
Flashing white

AIRFIELD MARKERS – CONES & GABLES

- Rotationally-moulded, UV-stabilized polyethylene
- Moulded in colour – no need for painting
- Easily secured
- 100% recyclable



OPTIONS



Tablet or Handheld RF Control of Wireless Airfield Lighting



Solar or Mains Pilot Activated Lighting Control (PALC)

LIGHTING MOUNTS



Industry Leaders in Solar Airfield Lighting

Avlite Systems has built a well-earned international reputation for producing the most reliable, innovative solar powered aviation lighting systems in the world, earning it the preferred choice and industry's only program of record system approval for US DOD combat solar airfield lighting systems. The Avlite solar aviation lighting systems are currently operating throughout the Middle East, Continental US Air Force, US Army, US Marines and US Navy bases along with various international airports in the Caribbean, Africa, South America and Europe.

With more than 25 years of proven experience and strategic partnerships, Avlite is the fastest growing aviation lighting manufacturer in the industry and has established itself as the technology leader in the design and development of solar powered aviation lighting equipment.

Avlite is dedicated to supporting the Military & Aviation communities worldwide; our products are designed to provide operational flexibility and improve safety for light aircraft on public use and private airfields.

Avlite's airfield lighting solutions are easy-to-install and scalable. No infrastructure is required and there is a solution for every budget.



Solar powered green technology



Modular design, scale when ready



Easy to install and maintain



Various control options to match the owner's operational needs



Avlite[®]
www.avlite.com

11 Industrial Drive,
Somerville VIC 3912
AUSTRALIA
t +61(0)3 5977 6128
f +61(0)3 5977 6124

61 Business Park Drive
Tilton, New Hampshire 03276
USA
t +1 (603) 737 1311
f +1 (603) 737 1320

www.avlite.com
info@avlite.com