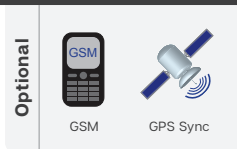


FAA L-810F Low Intensity Obstruction Light

AV-OL Series Universal DC Single Light Fixture



Revolutionary design with integrated GPS synchronization, the L-810(F) is designed to work with Avlite's L864 for marking towers 150-350 feet.

Avlite's LED obstruction lights offer an ultra bright, energy efficient and cost effective lighting solution. The light fixture is available in universal DC (12-48VDC).

The advanced light optic uses a single LED for minimal power consumption. The corrosion resistant, polycarbonate lens is specifically designed for use with LEDs to maximize light intensity and uniformity.

The light fixture incorporates internal diagnostic checking and an alarm contact for remote monitoring. The alarm relay is energized in normal operation and is released if there is an LED or power fault. The unit is available with either a 1/2 or 1 inch thread type - making it simple to retrofit with existing installations.

The obstruction light also has an adjustable operation mode setting to allow the user to easily toggle between dusk-till-dawn and 24 hour operation modes. Light is adjustable to operate between 810 and 810(F). L-810F must flash simultaneously with Avlite's L-864 MIOL.



Optional GSM Monitoring

The Avlite single obstruction light is available with GSM Cell-Phone Monitoring, enabling operators to remotely monitor the status of their installation. The system can also be configured to send out SMS text messages or e-mail alerts to designated operators should alarm conditions be triggered, such as low voltage or light failure.

Cost Effective

- Energy efficient lighting solution
- Low maintenance costs
- Low LED power consumption

Features

- Alarm contact for remote monitoring
- Light sensor for day/night operation

Compliance

- FAA Engineering Brief No. 67

Easy Install

- No mains power
- Adjustable operation mode
- GPS Synchronization equals less wires and easier install

Optional

- Solar power configurations
- Combined visual and Infrared visibility
- GSM monitoring
- Available in universal DC (12-48VDC)

Certifications

- FAA AC NO: 150/5345-43H L-810(F)

Technical Specifications *

FAA L-810F LIOL Single Fixture

Light Characteristics	12 - 48 VDC
Light Source	As tested; Ultra bright high performance LED
Available colors	Red as standard
Peak Intensity (cd)*	Complies with FAA L-810 and FAA L-810(F) Photometric Specification
Horizontal Output (degrees)	360
Vertical Divergence (degrees)	As per FAA L-810(F) Photometric Specification
Available Flash Characteristics	0.2s ON, 1.8s OFF – 10% duty cycle
Reflector Type	Single LED Optic
Operation Mode Adjustment	User-adjustable between: dusk-till-dawn & 24-hour operation L-810 & L810(F)
LED Life Expectancy (hours)	>100,000
Tolerance	± 3 FPM
Electrical Characteristics	
Operating Voltage	12 – 48 VDC
Average Power	L-810(F) = 0.13W; L-810 = 1.3W
Peak Power	3W
Circuit Protection	Integrated
Temperature Range	-40 to 55°C
Physical Characteristics	
Body Material	LEXAN® Polycarbonate – UV stabilized
Lens Material	LEXAN® Polycarbonate – UV stabilized
Lens Diameter (mm/inches)	100 / 3 7/8
Lens Design	Single LED Optic
Mounting	Standard Model: 1/2 inch pipe thread
Height (mm/inches)	Standard Model: 137 / 5 3/8
Width (mm/inches)	121 / 4 3/4
Depth (mm/inches)	121 / 4 3/4
Mass (kg/lbs)	0.4 / 1 1/4
Product Life Expectancy	12 years plus
Environmental Factors	
Humidity	0 to 100%, MIL-STD-810F
Icing	3.41kg per square cm / 48.5lbs per square inch
Wind Speed	Up to 240kph / 150mph
Certifications	
CE	EN61000-6-3:2007 EN61000-6-1:2007
Quality Assurance	ISO9001:2015
FAA, DGAC.	L-810(F) Low Intensity Obstruction Light (Qualified by Intertek)
Waterproof	IP67
Intellectual Property	
Trademarks	AVLITE® is a registered trademark of Avlite Systems
Warranty *	5 year warranty
Options Available	<ul style="list-style-type: none"> Variety of solar/battery configurations GSM cell-phone monitoring Threaded adaptor L-864 Medium Intensity Obstruction Light

CE • Specifications subject to change or variation without notice
* Subject to standard terms and conditions

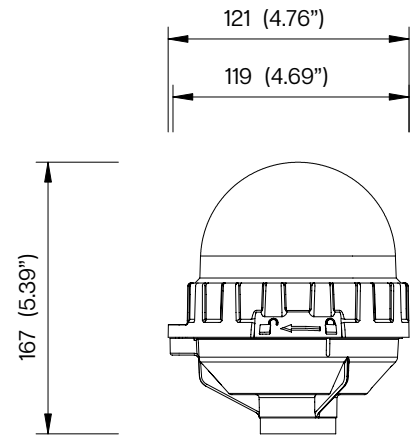
NOTE: L-810(F) certification only applies when used with Avlite OL series L-864.

! FAA Monitoring Requirement

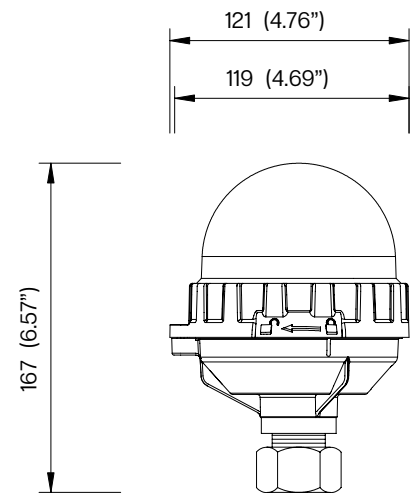
The FAA states that 'conspicuity is achieved only when all recommended lights are working' and 'any outage should be corrected as soon as possible'. The operational status of all lights should be confirmed at least once every 24 hours. If a structure is not easily inspected by visual observation, an automatic monitoring system should be used.

Avlite has a selection of automatic monitoring systems available for use with their obstruction light range to comply with FAA requirements.

Technical Illustrations

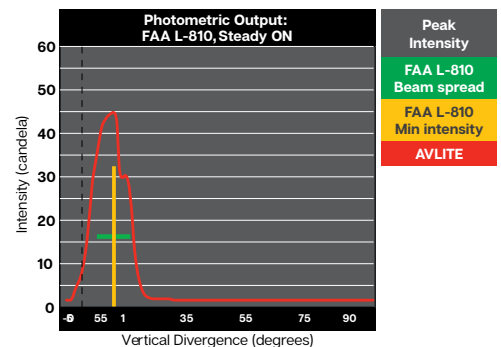


Standard Model



Model with optional winch pipe thread adapter

Photometric Output



How to Order FAA L-810(F)

AV - OL - L810F - DC - [?] - [??]

Product No.:

Color:

R = Red

RIR = Combined Red/IR

Option:

00 = No Options

01 = Current Sense Only

02 = Bluetooth Only

03 = Bluetooth with Current Sense