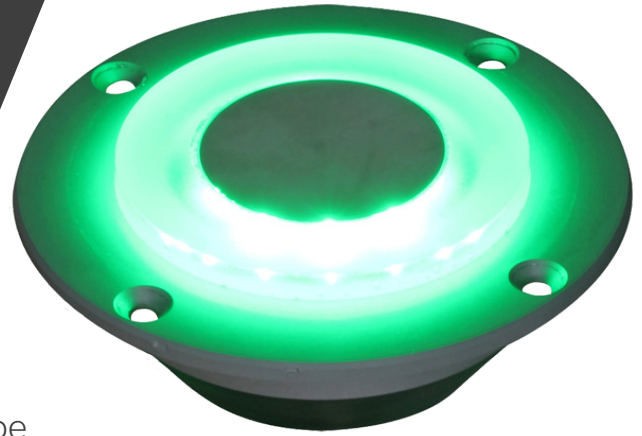
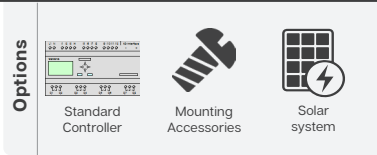


Inset Heliport Lighting

AV-HLI2



Avlite's omnidirectional LED inset helipad light can be used as visual aid for helipads. They have been designed to meet the standards of ICAO Annex 14 Volume 2 and FAA Engineering Brief 87 Heliport Perimeter Light for Visual Meteorological Conditions.

As an alternative to elevated lights, Avlite's inset helipad lights are an excellent choice for locations where elevated lights are not suitable or can cause interference to passing aircraft and maintenance vehicles.

The lights can be dimmed to reduce glare and are available with optional infrared (IR) visibility for pilots using night vision.

Robust Construction

Able to withstand the harshest environments, the unit is made from robust, corrosion-resistant anodised aluminium with a UV-stabilised lens with excellent impact resistance, thermal stability and transparency. The electronics are fully encapsulated for further protection.

High efficiency LEDs with over 100,000 hour life expectancy are used ensuring the lights are long lasting and low maintenance.

Plug & Play Design

The inset helipad lights are compatible with existing infrastructure and come with a simple plug and play connection making them simple to install.

Optional LCMS Helipad Control System

An optional LCMS (Lighting Control & Monitoring System) can be supplied and integrated with the inset helipad lights to provide central control and/or remote operation functionality for a variety of helipad operations.



Features

- Optimised light output
- Compact and low profile, <10mm (0.4")
- Optimised for integration in elevated helipads
- Fully sealed optics and electronics
- Safe Extra Low Voltage compliant
- Existing infrastructure compatible
- Low power consumption
- Optional IR for pilots using NVG

Applications

- Touch Down and Lift Off Areas (TLOF)
- Final Approach and Take Off Areas (FATO)
- Flight Path Alignment Lights
- Flight Path Alignment Guidance Lights
- Aim Point Lights

Reliable

- 2 year warranty

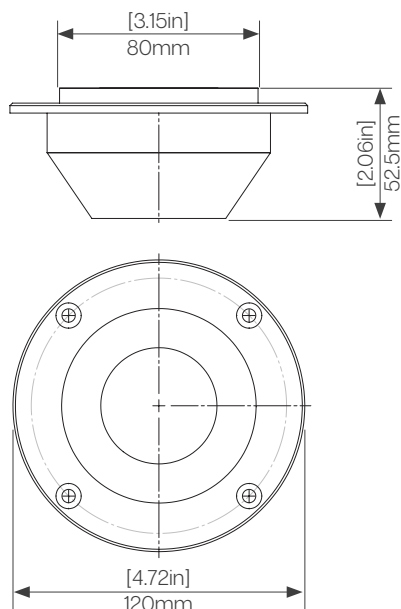
Add-ons

- AC/DC converter for AC/DC
- Variety of solar/battery configurations
- Adaptor Plate for mounting in 8" Shallow Bases according to IEC TS 61827 / FAA AC 5439/150-46D
- 5" or 8" Shallow Base
- LCMS Helipad Control System
- Standard controller AV-HL-CTRL-T1 option available

Technical Specifications*

| AV-HLI2 Inset Light | | | | |
|--------------------------------------|--|-------------------------------|----------------------|---------------|
| Light Characteristics | | | | |
| Light Source | LED | | | |
| Available colours | Green, White, Yellow, Blue, IR | | | |
| Peak Intensity - Visible (cd) | Complies to: ICAO Annex 14 Vol 2., FAA EB 87, CAP 437 | | | |
| Peak Intensity - IR (mW/str) | 240 | | | |
| Intensity/dimming | Visible Option: 0 to 100% dimmable IR Option: IR continuous on, with LCMS and IR switchable | | | |
| LED Life Expectancy (hours) | >100,000 | | | |
| Electrical Characteristics | | | | |
| Operating Voltage (VDC) | 18 – 30 V | | | |
| Power (W) | TLOF/Approach Direction Indicator: max 6.5W FATO/Aim Point Indicator: max 12.5W IR model: additional 0.3W | | | |
| Operating Temperature | -40 to 55 °C | | | |
| Storage Temperature | -40 to 85 °C | | | |
| Physical Characteristics | | | | |
| Dimensions | Height (mm /inches) | Lens Diameter (mm/ inches) | Diameter (mm/inches) | Mass (kg/lbs) |
| AV-HLI2 | 52.5 / 2 | 80 / 3¼ | 120 / 4¾ | 0.9 / 2 |
| Body Material | Corrosion resistant anodised aluminium | | | |
| Mounting | 4 x M5 Screws | | | |
| Lens Design | LED optic | | | |
| Certifications and Compliance | | | | |
| CE | EN61000-6-3:2007, EN61000-6-1:2007 | | | |
| Quality Assurance | ISO9001:2015 | | | |
| Protection Rating | IP68 | | | |
| Intellectual Property | | | | |
| Trademarks | AVLITE® is a registered trademark of Avlite Systems | | | |
| Warranty* | 2 year warranty | | | |
| Options Available | <ul style="list-style-type: none"> • AC/DC converter for AC/DC • Variety of solar/battery configurations • Adaptor Plate for mounting in 8" Shallow Bases according to IEC TS 61827 / FAA AC 5439/150-46D <ul style="list-style-type: none"> • 5" or 8" Shallow Base • LCMS Helipad Control System | | | |

Technical Illustrations*



How to Order a HLI2 Inset Light

AV-HLI2 - [?] - 5 - 24 - [?]

Product No.: _____

Application: _____

FATO = Final Approach and Take Off
 TLOF = Touch Down and Lift Off
 API = Aim Point Indicator
 ADI = Aim Direction Indicator

Colour: _____

G = Green
 W = White
 Y = Yellow
 B = Blue
 GIR = Green Infrared
 WIR = White Infrared

CE • Specifications subject to change or variation without notice
 * Subject to standard terms and conditions