



Issue Date: 20-09-2010

Model No: SAL-01

Issue: TB001

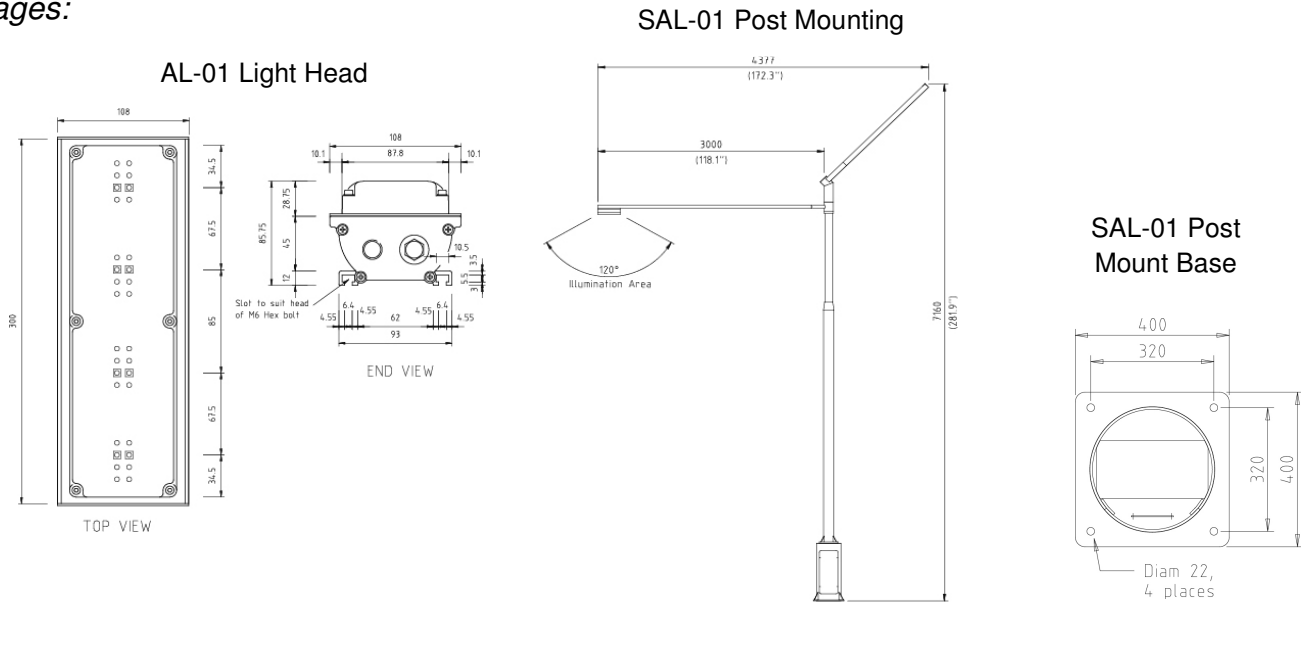
Model Name: Area Light with Mounting Post

Reason for New Product Options Certification Change Test Procedure

Bulletin: Product Improvement Instruction Revision Other:

Description of Change	Reason for Change	Effective Date
<p>Product Improvement of the SEA-5LUM Area Light</p>	<ul style="list-style-type: none"> • Supercedes the old 5 Dome version Light, • is much better for the environment, • and is better priced! <p>The SAL-01 Solar Powered Area Light runs independently from Mains Power uses state of the art high performance LED's enclosed in a tough, polycarbonate lens to withstand harsh environmental conditions and vandalism. The unit has been designed to meet cyclonic conditions, has an adjustable ON Timer from 1 hour to dusk till-dawn is waterproof to IP67 rating and has 50,000 hour rated LED's. The unit is mounted on a Galvanised Steel Post with Anti-tamper fittings and has an adjustable arm for the Light Head.</p>	<p>September 2010</p>

Images:



Prepared By: Peter Rainey Position: Quality Manager Date: 20-9-2010

Please Note: Sealite Technical Bulletins are released confidentially to Distributors and Resellers of Sealite navigational aids. Information contained in this document may only be reproduced with prior approval from Sealite Pty. Ltd.